



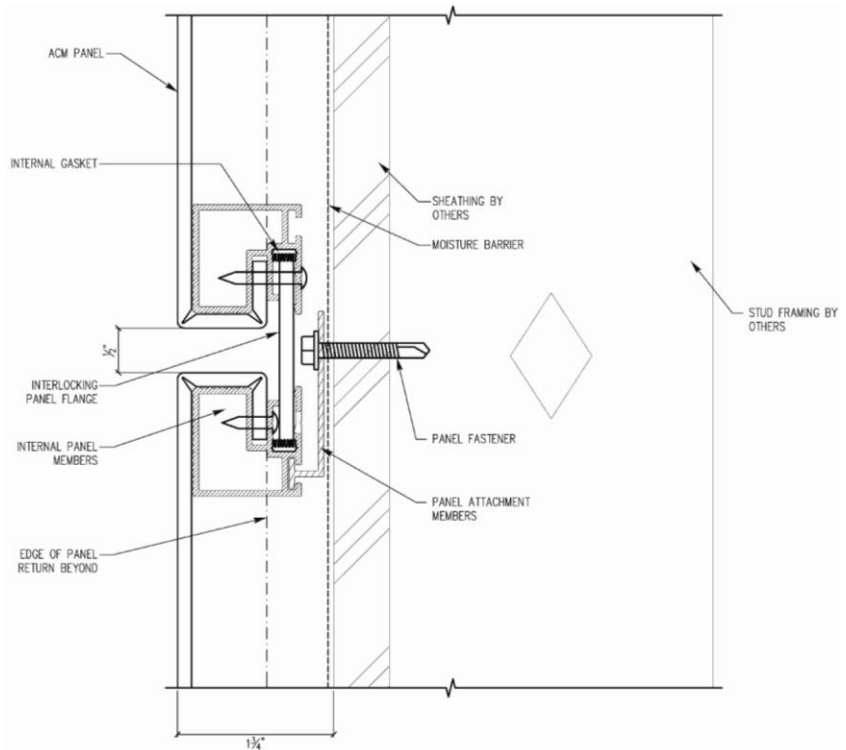
# Composite Metal Panels

## 6000 Series

The 6000 series is a sequentially installed dry seal panel system that employs integral weather stripping and hidden fasteners. The panel system can accommodate intricate corners, curved walls, simple fascias, and various soffit conditions. All panels are assembled using proprietary internal extrusions that provide a rigid perimeter, producing a stiff panel that resists deflection.

### System Info:

- 1 3/4" minimum system thickness
- Up to 5ft x 16ft panel sizes
- Zero to 6" joint widths
- Certified ASTM E283 Air, E330 Structural, E331 Water, and AAMA 501 Dynamic testing
- Up to 30 year finish warranty



### Why Use Douglass Colony Group?

- Douglass Colony Group features a local 70,000 sq/ft fabrication facility at the Commerce City headquarters
- Douglass Colony Group uses in-house designers for complete design/build services
- Douglass Colony Group utilizes multiple material sources for more options and better customer value
- Douglass Colony Group offers fully tested and engineered systems to meet any specification and application

***We've Got You Covered From the Ground Up!***

**Give Us a Call Today!**

**(303)288-2635 or Toll Free at 1(877)288-0650**